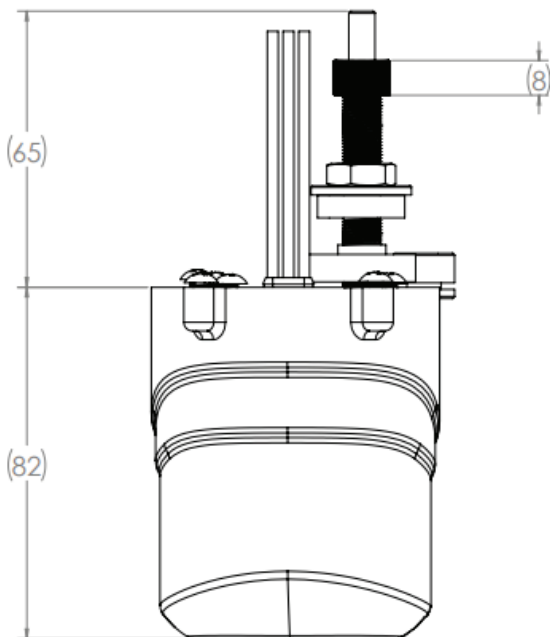




Light Duty Motor Kit

- Single Speed
- CE certified
- Drives up to 14" / 350mm radial arms and blades
- Sweep angles of 80 or 110 degrees. Kit ships pre-set to 110 degrees and is adjustable.
- Adjustable park position, left or right
- 64mm x 110mm motor case can be installed in small spaces



Recommended for

- Marine
- ATV / UTV
- Side by side
- Material handling vehicles

MOTOR TORQUE: 8Nm

VOLTAGE: 12v or 24v configurations are available

SWEEP ANGLE: 110 degrees standard, adjustable to 80 degrees

SPEED: 54 sweeps per minute

PARK CIRCUITRY: coast to park

PARK POSITION: Adjustable, left or right

SHAFT LENGTH: 1" pinch bolt

GROUNDING: isolated, ground wire

FUSING: 3 amps min.

MOTOR CASE: aluminum, IP65, UV resistant
White case is standard, black case available upon request.

ARM: Adjustable length radial, 13" - 18"

Blade: 11" metal framed

www.wexcoind.com

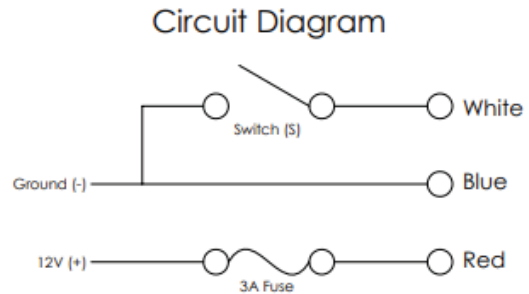
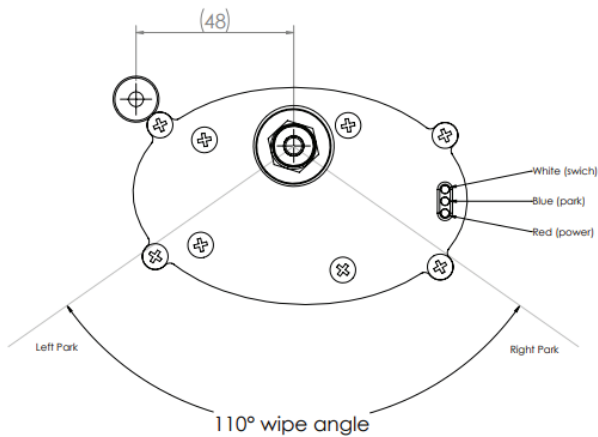
customerservice@wexcoind.com

WEXCO Industries
3 Barnet Road
Pine Brook, New Jersey 07058

(800) 528-3048

2001215r1





LIGHT DUTY MOTOR KITS

PART NUMBER	DESCRIPTION	SHAFT TYPE	SHAFT LENGTH	VOLTAGE	CASE COLOR
SQ112110SSK	kit w/motor, arm & blade, preset to 110 degrees	pin	1/4"	12 V	white
SQ124110SSK	kit w/motor, arm & blade, preset to 110 degrees	pin	1/4"	24 V	white
SQ112080SSK	kit w/motor, arm & blade, preset to 80 degrees	pin	1/4"	12 V	white
SQ124080SSK	kit w/motor, arm & blade, preset to 80 degrees	pin	1/4"	24 V	white
SQ112110SSKB	kit w/motor, arm & blade, preset to 110 degrees	pin	1/4"	12 V	black
SQ124110SSKB	kit w/motor, arm & blade, preset to 110 degrees	pin	1/4"	24 V	black
SQ112080SSKB	kit w/motor, arm & blade, preset to 80 degrees	pin	1/4"	12 V	black
SQ124080SSKB	kit w/motor, arm & blade, preset to 80 degrees	pin	1/4"	24 V	black

KIT REPLACEMENT COMPONENTS

PART NUMBER	DESCRIPTION	SHAFT TYPE	SHAFT LENGTH	VOLTAGE	CASE COLOR
SQ112110SS	motor only, preset to 110 degrees	pin	1/4"	12 V	white
SQ124110SS	motor only, preset to 110 degrees	pin	1/4"	24 V	white
SQ112080SS	motor only, preset to 80 degrees	pin	1/4"	12 V	white
SQ124080SS	motor only, preset to 80 degrees	pin	1/4"	24 V	white
SQ112110SSB	motor only, preset to 110 degrees	pin	1/4"	12 V	black
SQ124110SSB	motor only, preset to 110 degrees	pin	1/4"	24 V	black
SQ112080SSB	motor only, preset to 80 degrees	pin	1/4"	12 V	black
SQ124080SSB	motor only, preset to 80 degrees	pin	1/4"	24 V	black
201201	arm only, 13"-18" / 330mm-450mm	n/a	n/a	n/a	n/a
201202	blade only, 11" / 280mm	n/a	n/a	n/a	n/a

www.wexcoind.com
customerservice@wexcoind.com

WEXCO Industries
3 Barnet Road
Pine Brook, New Jersey 07058

(800) 528-3048

2001215r1

