

4R D Series Motor (Chassis Ground)

- 2 Speed
- Drives arms and blades to 23"/600mm
- CE certified
- Sweep angles of 40, 50, 60, 70, 80, 90, 100 or 110 degrees are available or can be adjusted to desired angle in the field.



SHAFT CONSTRUCTION: Stainless steel w/brass housing

SHAFT LENGTHS: 1.5", 2.5" or 3.5"

SHAFT TYPE: 1/2" drum

LOW SPEED: 35 sweeps/minute

HIGH SPEED: 55 sweeps/minute

MOTOR VOLTAGE: 12v or 24v

GROUNDING: Chassis ground

FUSING: 12A for 12v / 7A for 24v

WIRE INSULATION: Red=Park, Green=Low Speed, White=Ground, Blue=High Speed

WIRING: 16AWG, 12" leads

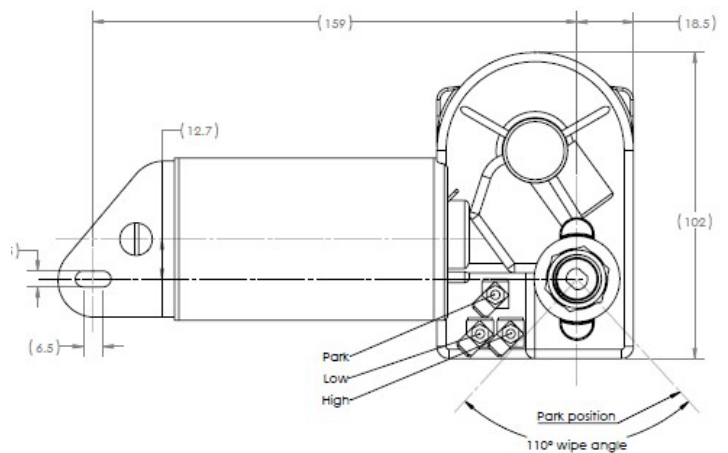
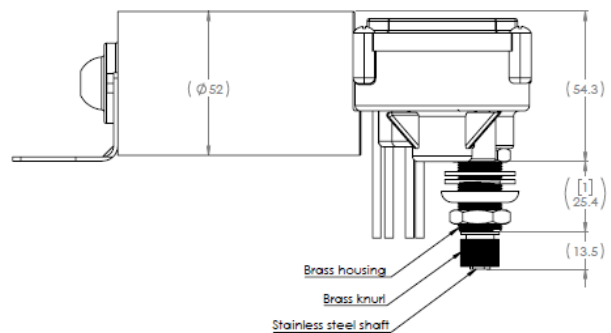
PARK CIRCUITRY: Coast to park

PARK POSITIONS: Adjustable, left or right

CASE: Powder coated, white or black

WEIGHT: 1.1Kg / 2.4lb

PACKAGING: Individually boxed



www.wexcoind.com

customerservice@wexcoind.com

WEXCO Industries
3 Barnet Road
Pine Brook, New Jersey 07058

(800) 528-3048

200811r1

