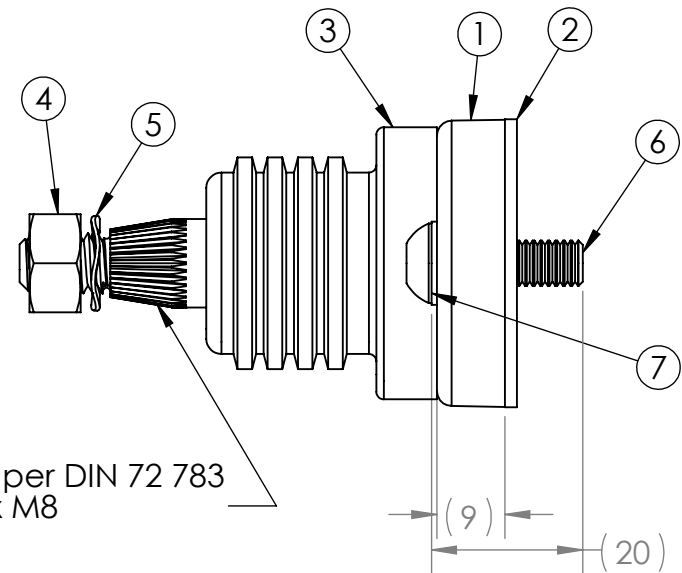
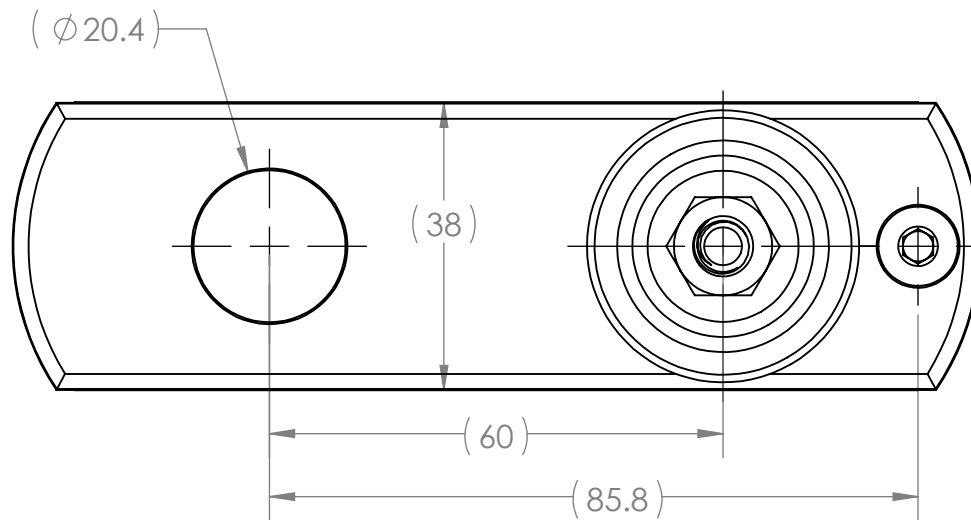
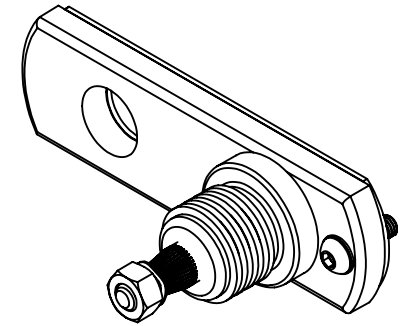


Note: shaft & hardware are stainless steel

pos.	qty.	part number	description
1	1	SP20260003	slave pivot
2	1	GS01550001	gasket
3	1	CA01127001	cap
4	1	NT00800002	M8 nut
5	1	WA40805001	wavy washer
6	1	SC10602001	M6 screw
7	1	WA10655002	toothed washer



shaft per DIN 72 783
A12 x M8

REV	DATE	DESCRIPTION	UNLESS OTHERWISE SPECIFIED:	NAME	DATE	WEXCO INDUSTRIES							
A	9-30-13	ECR 204, release for production	DIMENSIONS ARE IN MM	DRAWN	MP	9-30-13	TITLE: marine DIN slave pivot kit						
			3rd ANGLE PROJECTION	CHECKED	JH	9-30-13							
				ENG APPR.	MP	9-30-13	<table border="1"> <tr> <td>SIZE</td> <td>DWG. NO.</td> <td>REV</td> </tr> <tr> <td>A</td> <td>SP30260003</td> <td>A</td> </tr> </table>	SIZE	DWG. NO.	REV	A	SP30260003	A
SIZE	DWG. NO.	REV											
A	SP30260003	A											
			INTERPRET GEOMETRIC TOLERANCING PER: ISO 2768-1 M	COMMENTS:			SCALE: 1:1						
			MATERIAL	PROPRIETARY AND CONFIDENTIAL THE INFORMATION CONTAINED IN THIS DRAWING IS THE SOLE PROPERTY OF WEXCO INDUSTRIES. ANY REPRODUCTION IN PART OR AS A WHOLE WITHOUT THE WRITTEN PERMISSION OF WEXCO INDUSTRIES IS PROHIBITED.			WEIGHT:						
			FINISH				SHEET 1 OF 1						
			APPLICATION										

5

↑

4

3

2

1