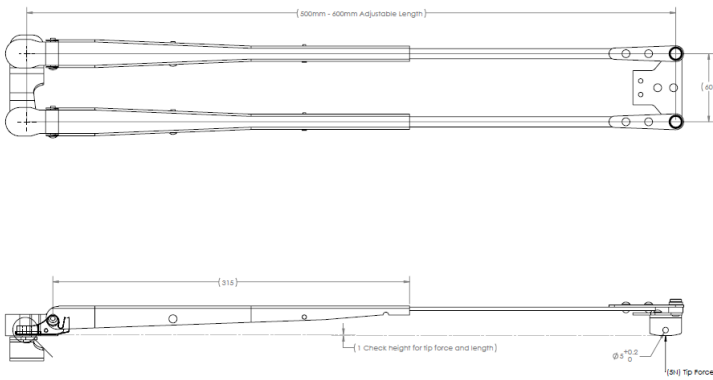




# Pantograph Wiper Arms

## Adjustable Length



**Material:** 304 Stainless Steel

**Coating:** Black powder coated arms are standard. Optional non-coated upon request.

**Lengths:** Adjustable per table below

**Wet / Dry:** Dry arms are standard. Optional wet kits are available

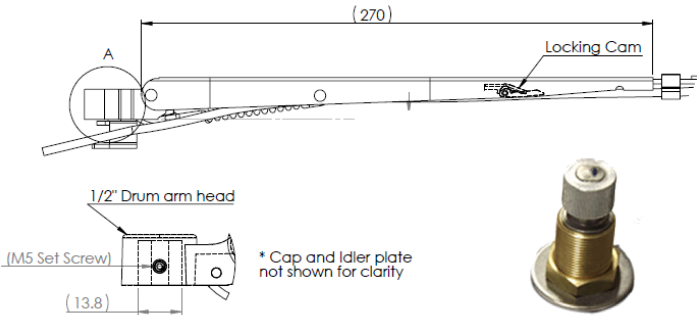
**Blade Attachment:** 13.6mm saddle

### Pantograph Wiper Arms - Adjustable Lengths

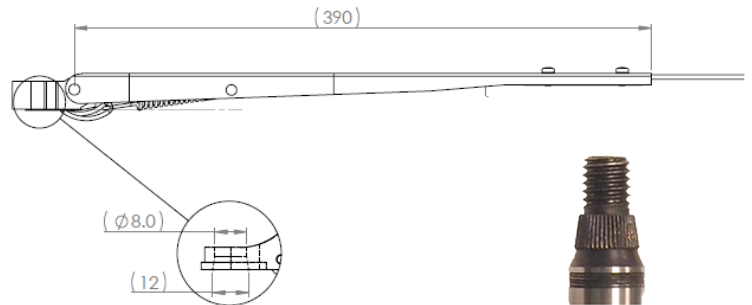
PART NUMBER	SHAFT TYPE	LENGTH		COLOR	APPLICATION
		INCHES	LENGTH MM		
200733DS	1/2" DRUM	11" - 14"	280 - 350	BLACK	4A / 4R MOTORS
200701DS	1/2" DRUM	14" - 18"	350 - 450	BLACK	4A / 4R MOTORS
200703DS	1/2" DRUM	20" - 24"	500 - 600	BLACK	4A / 4R MOTORS
200732DS	DIN	26" - 32"	650 - 800	BLACK	4A / 4R MOTORS
200732DSR	DIN	26" - 32"	650 - 800	BLACK	COMPACT DRIVE MOTORS
200708DS	DIN	20" - 24"	500 - 600	BLACK	4A / 4R MOTORS
200708DSR	DIN	20" - 24"	500 - 600	BLACK	COMPACT DRIVE MOTORS
200712DS	DIN	26" - 32"	650 - 800	BLACK	4A / 4R MOTORS
200712DSR	DIN	26" - 32"	650 - 800	BLACK	COMPACT DRIVE MOTORS
200713DS	DIN	32" - 36"	800 - 900	BLACK	4A / 4R MOTORS
200713DSR	DIN	32" - 36"	800 - 900	BLACK	COMPACT DRIVE MOTORS
200719DS	DIN	38" - 40"	950 - 1000	BLACK	4A / 4R MOTORS
200719DSR	DIN	38" - 40"	950 - 1000	BLACK	COMPACT DRIVE MOTORS

## Shaft Types

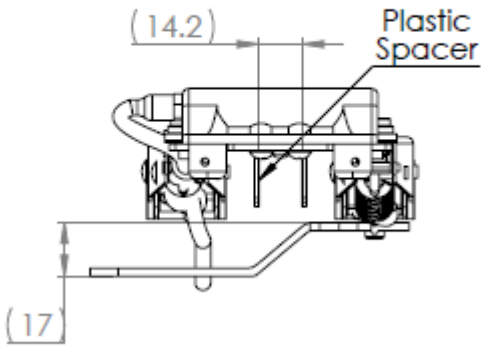
### 1/2" Drum Shaft



### DIN Shaft



## Optional Wet Kit



### Optional Wet Kit P/N WE19491

6 jet nozzle bolts on to the bridge plate

Kit includes nozzle, washer hose and hose clips

