

Marine Compact Motor

- 2 Speed
- Drives radial or pantograph arms and blades to 32"/800mm
- Available in sweep angles from 40 degrees to 108 degrees.
- Stainless steel DIN pivots
- Available in right or left hand park configurations

MOTOR TORQUE: 32Nm

SHAFT LENGTH: 1", 1.25", 2", 2.5" or 3"

SHAFT CONSTRUCTION: Stainless steel with Al housing

SHAFT TYPE: DIN (A12xM8) (per DIN 72783)

LOW SPEED: 40 sweeps/minute

HIGH SPEED: 60 sweeps/minute

MOTOR VOLTAGE: Available in 12v or 24v

GROUNDING: Isolated

FUSING: 12 amps minimum

WIRE INSULATION: Black=Park, Green=Low Speed, White=Ground, Red=High Speed, Brown =ground, Blue=switch

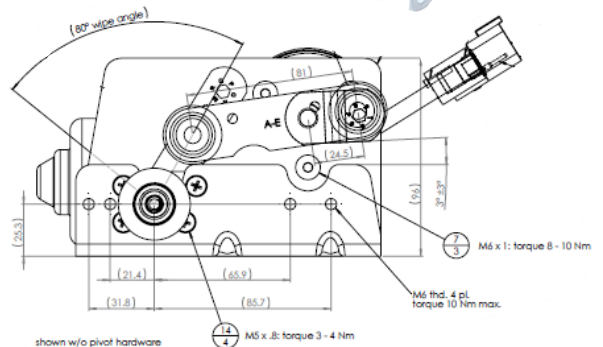
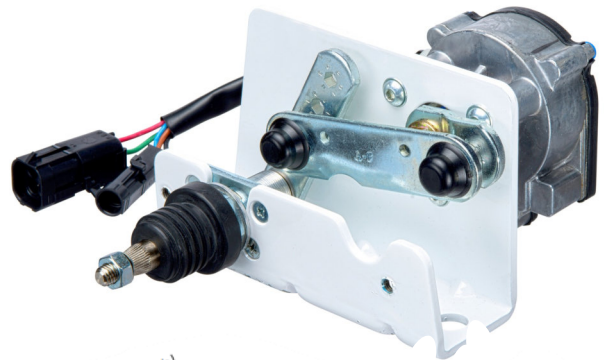
WIRING: 16AWG, 7" leads

PARK CIRCUITRY: Dynamic park or coast to park

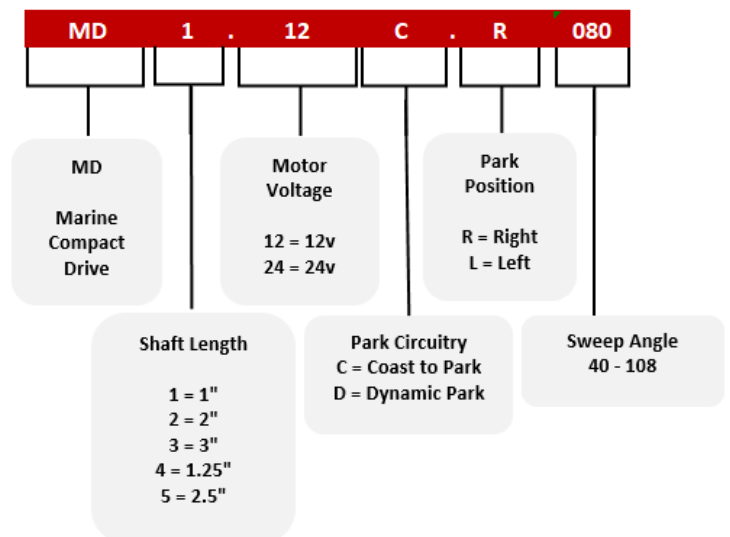
PARK POSITIONS: Available in left or right park configurations

CONNECTOR: 6 pin Deutsch

WEIGHT: 2.7Kg / 6lb



Part Numbering Convention



www.wexcoind.com

customerservice@wexcoind.com

WEXCO Industries
3 Barnet Road
Pine Brook, New Jersey 07058

(800) 528-3048

200811r1



Weeco Industries, Inc.
Certified to ISO 9001:2015
10012439



Compatible Stainless Steel Radial Arms - Adjustable Length

DRY arms are standard. Arms can be converted to WET by ordering wet kit

P/N WE19492. Kit includes spray nozzle, washer fluid hose retainer clip and instructions

PART NUMBER	LENGTH INCHES	LENGTH MM	COLOR	Blade Connection
200711DS	20" - 24"	500 - 600	Black	Hook with swivel head
2012132DS	26" - 32"	650 - 800	Black	Saddle

Compatible Stainless Steel Pantograph Arms - Adjustable Length

DRY arms are standard. Arms can be converted to WET by ordering wet kit

P/N WE19491. Kit includes spray nozzle, washer fluid hose retainer clip and instructions

PART NUMBER	LENGTH INCHES	LENGTH MM	COLOR	Blade Connection
200208DS	20" - 24"	500 - 600	Black	Saddle
200212DS	26" - 32"	650 - 800	Black	Saddle

Compatible Stainless Steel Wiper Blades

PART NUMBER	LENGTH INCHES	LENGTH MM	COLOR	CONSTRUCTION
13616M	16"	400	Black	304 SS, powder coated
13618m	18"	450	Black	304 SS, powder coated
13620M	20"	500	Black	304 SS, powder coated
13622M	22"	550	Black	304 SS, powder coated
13624M	24"	600	Black	304 SS, powder coated
13626M	26"	650	Black	304 SS, powder coated
13628M	28"	700	Black	304 SS, powder coated
13730SSM	30"	750	Black	304 SS, powder coated
13732SSM	32"	800	Black	304 SS, powder coated

www.wexcoind.com
customerservice@wexcoind.com

WEXCO Industries
3 Barnet Road
Pine Brook, New Jersey 07058

(800) 528-3048

200811r1

