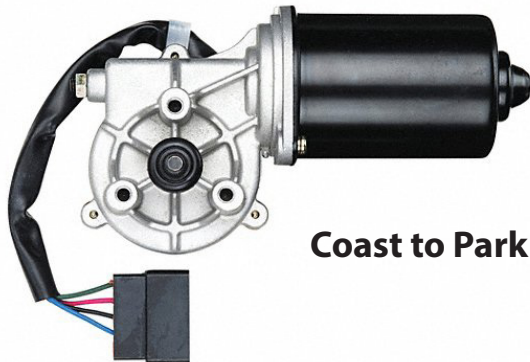


# Coast to Park / Dynamic Park Motors

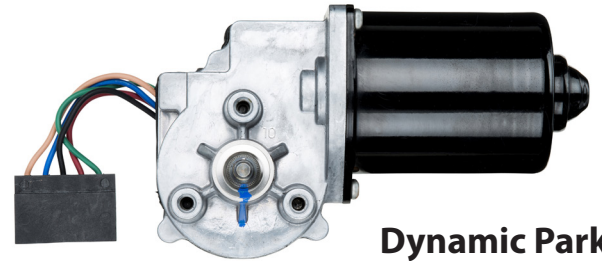
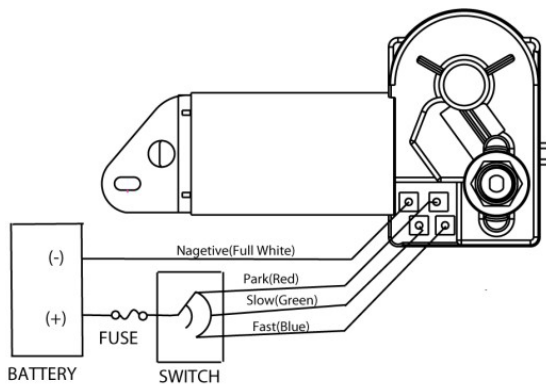


**Coast to Park**

When shut off, a coast to park motor “coasts” to it’s final parking position.

The parking position can vary by a few degrees each time the motor is turned off.

Coast to park motors can be identified by their 4 wire connection



**Dynamic Park**

When shut off, a dynamic park motor is electrically “braked” at the park position.

Dynamic park motors deliver a consistant park position each time the motor is turned off.

Dynamic park motors can be identified by their 5 wire connection

